

PE200S

Atom® X Series Processor, DDR3L SO-DIMM, DP, HDMI,
Dual-LAN, Multiple COM, 12-24V DC

Features

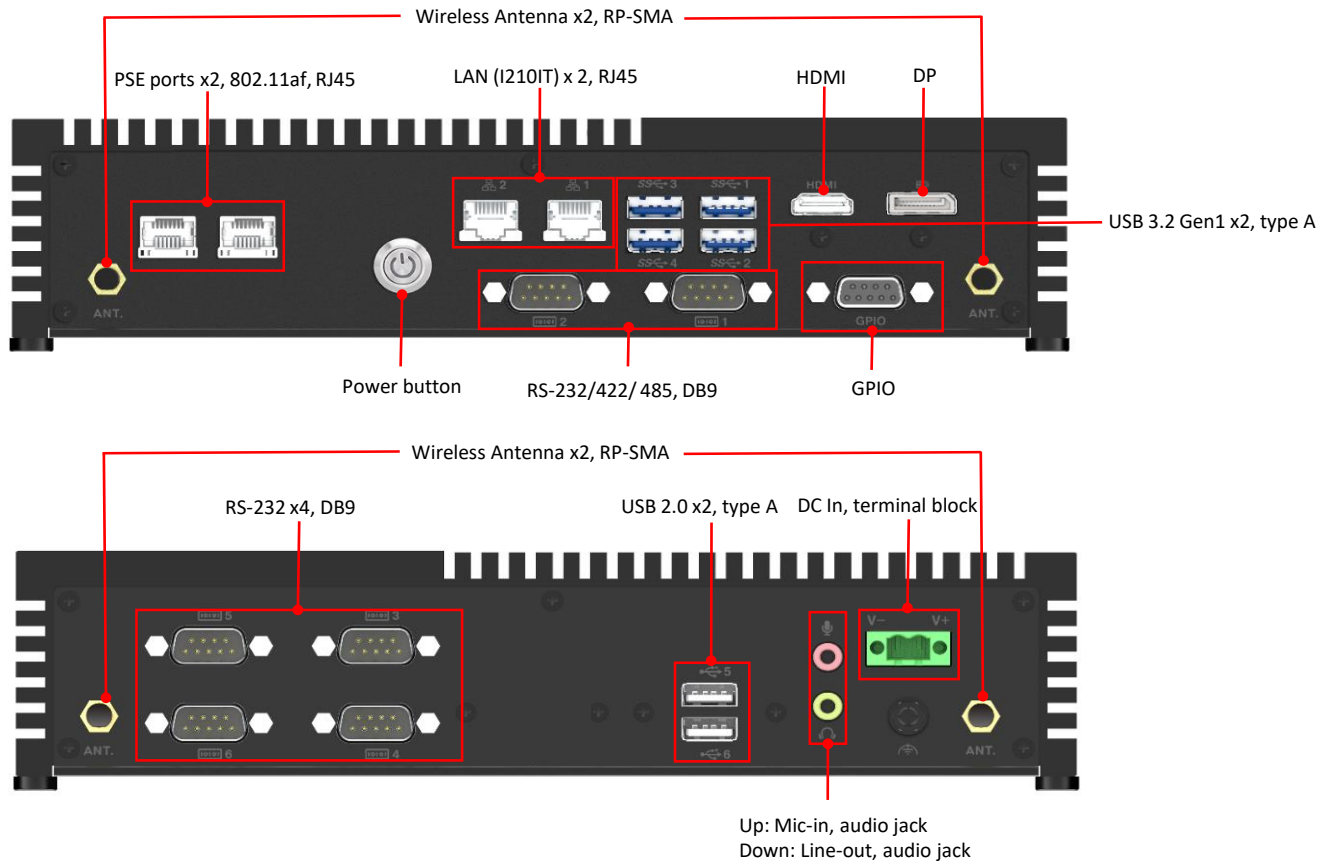
- Supports 2 x RS-232/422/485, 4 x RS-232
- Supports dual independent video outputs
- Supports Windows® 10 IoT Enterprise or Linux OS
- Wide Operating Temperature Range: -20~60°C



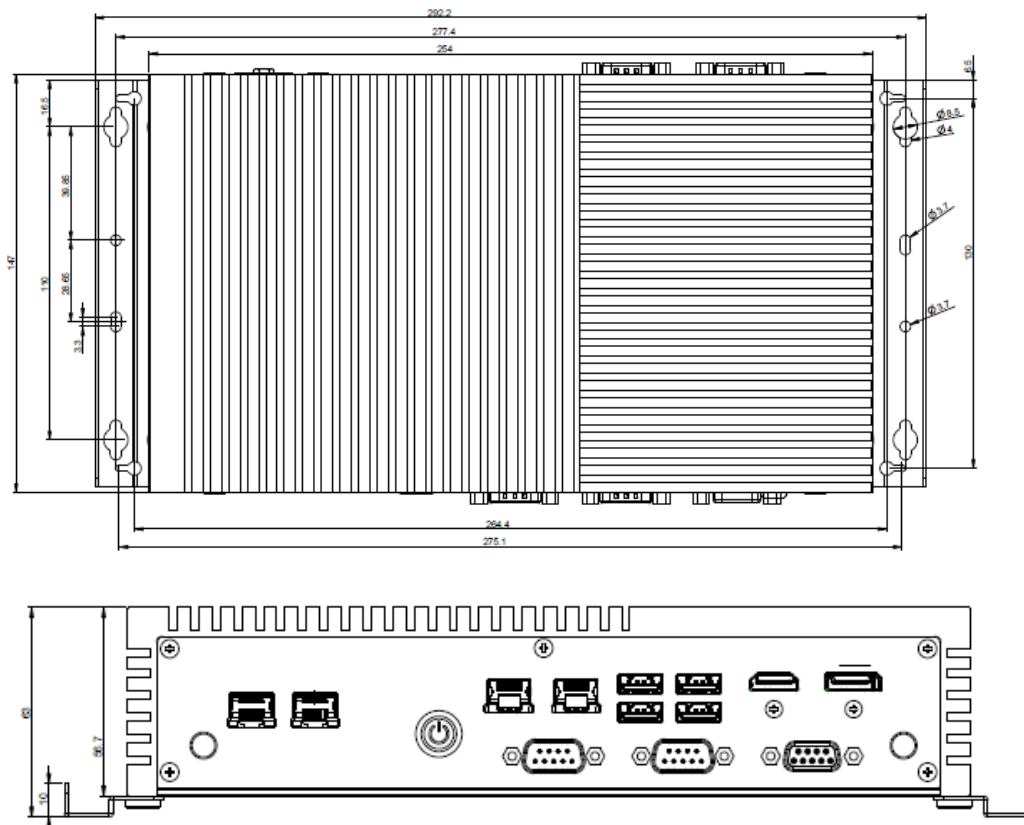
Specifications

	CPU	Intel® Atom® X5-E3930	Intel® Atom® X5-E3940	Intel® Atom® X7-E3950
System	TDP	6.5W	9.5W	12W
	# of Cores	2	4	4
	Base Freq.	1.3GHz	1.6GHz	1.6GHz
	Max Turbo Freq.	1.8GHz	1.8GHz	2.0GHz
	Memory	1 x SO-DIMM, DDR3L 1866 MHz, supports up to 8GB		
	External Interfaces	Display	1 x HDMI 1.4, supports up to 3840 x 2160 @ 30 Hz 1 x DP 1.2a, supports up to 4096 x 2160 @ 60 Hz	
Ethernet		2 x 10/100/1000 Mbps, RJ45 (2 x Intel i210IT (1Gb) 2 x 802.11af PSE ports, RJ45 (optional) 2 x 10/100/1000 ethernet ports, RJ45 (optional) *either one		
USB		4 x USB 3.2 Gen 1, type A 2 x USB 2.0, type A (optional)		
Audio		1 x Mic-in, phone jack 1 x Line-out, phone jack		
COM		2 x COM: RS-232/422/485, DB9 4 x COM: RS232, DB9 (optional)		
GPIO		1 x 8bit GPIO, DB9		
Storage		SATA	1 x SATA 6 connector supports 2.5" SSD	
	Micro SD	1 x Micro SD Card slot (on-board)		
Expansion Slot	Mini PCIe	1 x Mini PCIe socket (USB / PCIe2 mode)		
	M.2 M Key	1 x M.2 2242 M-key socket, (SATA mode)		
	M.2 E Key	1 x M.2 2230 E-key socket (PCIe2 / USB 2.0 mode) (supports BT/Wi-Fi module)		
	SIM	1 x nano-SIM slot		
Power	Power input	12 to 24 V DC, 2-pin terminal block		
Mechanical	Mounting	Wall-mount/ VESA mount		
	Dimensions	254 (H) x 147 (W) x 57 (D) mm		
	Weight	2.45 kg		
Environment	Operating Temp.	-20~60°C with wide temperature parts, fanless		
	Storage Temp.	-40~85°C		
	Relative Humidity	10 to 95% (non-condensing)		
	EMC	CE (ITE), FCC , VCCI, BSMI		
	Safety	UL,CB, CCC, BSMI, CE		
	Vibration	Operating: 0.21Grms, 5~500 Hz, 20min duration		
	Shock	Operating: 50 G, half sine 11ms duration		
Green	GA (RoHS)			
Security	TPM	TPM v2.0 powered by Nuvoton NCPT 750 (Optional)		
Others	Watch dog timer	Yes. HW WDT Enable (WDT_EN)		
	Operating System	Windows® 10 IoT Enterprise (64 bit) / Linux		

Appearance



Dimension (mm)



Ordering Information

90 P/N	CPU	DRAM	2.5" SATA	TPM built-in	LAN	PoE	Serial port	USB	mPCIe	M.2 2230 E-key	M.2 2242 M-key	Operating temp
PE200S_ Entry	Intel® Atom® X5-E3930/ X5-E3940/ X7-E3950	Up to 8 GB	1	optional	2	--	2	4	1 ¹	1 ²	1 ³	-20~60°C /0~40°C
PE200S_ Semi	Intel® Atom® X5-E3930/ X5-E3940/ X7-E3950	Up to 8 GB	1	optional	2	--	6	6	1 ¹	1 ²	1 ³	-20~60°C /0~40°C
PE200S_ LAN FULL	Intel® Atom® X5-E3930/ X5-E3940/ X7-E3950	Up to 8 GB	1	optional	4	--	6	6	1 ¹	1 ²	1 ³	-20~60°C /0~40°C
PE200S_ FULL	Intel® Atom® X5-E3930/ X5-E3940/ X7-E3950	Up to 8 GB	1	optional	2	2	6	6	1 ¹	1 ²	1 ³	-20~60°C /0~40°C

* The part number might vary for different regulations and package. Please consult the TPM in your region for exact 90PN.

* Please check with your importer or integrator for system level certification.

1. LTE
2. Wi-Fi
3. M.2 SSD

Packing list

Description	Qty
Power terminal block to power jack adaptor, 10cm	1
PE200U Wall mount bracket	2
SATA 22P to SATA 7P+4P 15+12CM	1
2.5HDD screw pack	1
Dust cover set (1 HDMI; 1 DP; 6 DB9; 6 USB; 4 LAN; 2 audio jack; 4 SMA)	1
Quick installation guide	1

Optional Accessories (purchased separately)

Part Number	Description
ADAPTER	
	Power adapter, 65W 12V, input voltage 100 to 264VAC, output voltage 12VDC with 5.41A DC load, 0 to 40°C operating temperature
	Power adapter, 120W 20V, input voltage 90 to 264VAC, output voltage 20VDC with 6A DC load, 0 to 40°C operating temperature
POWER CORD	
	Power cord with United States (US) plug
	Power cord with Europe (EU) plug
	Power cord with China (CN) plug
	Power cord with Japan (JP) plug
	Power cord with Australia (AU) plug
	Power cord with United Kingdom (UK) plug
	Power cord with Korea (KR) plug
	Power cord with Swiss (CH) plug
	Power cord with Taiwan (TW) plug
	Power cord with Thailand (TH) plug
WIRELESS EXTENSION CABLE	
	External wireless extension cable, RP-SMA to RP-SMA, 60cm
4G LTE ANTENNA	
	Omni-directional rubber duck GPRS/EDGE/UMTS/HSPA/LTE antenna, 704 to 960MHz & 1710 to 2690MHz, 3.5 dBi, RP-SMA, antenna length 10cm
WI-FI ANTENNA	
	Omni-directional rubber duck Wi-Fi antenna, 2.4/5GHz, 2dBi, RP-SMA, antenna length 8.6cm