

AAD-W480B

10th Gen Intel® Core™ Xeon/i9/i7 Processor (Comet Lake)
AI@Edge Autonomous in-vehicle Server Computer With 3PCIe,
Support Dual Graphic Card



Features

- Workstation-grade Platform : 10th Gen Intel® Xeon®/Core™ i9/i7 Processor (Comet Lake Socket), supports max 80W TDP CPU
- Support 2 DDR4 3200 SODIMM, up to 64GB (Non-ECC)
- Support 2 PCIe x16 With PCIe x8 Signal, 1 PCIe x4 Expansion Slots
- Could Supports 2 NVIDIA RTX 30 Series Graphics Cards (Max.320W Each card)
- CAN Bus Provide
- Two Front Easy Access 2.5" SATA III Storage Bay
- 9-50Vdc Power Input w/in-vehicle Power Ignition Control, up to 1,000W Power Input



Others

TPM	Optional By Request
Watchdog Timer	255 Levels
Smart Management	Wake on LAN, PXE supported
HW Monitor	Monitoring temperature, voltages. Auto throttling control when CPU overheats.

Software

OS Support	Windows 10, Linux
------------	-------------------

Power Requirement

Power Input	9V to 55V, DC-in
Power Interface	3-pin Terminal Block : V+, IGN, V- With Power Ignition Control

Mechanical & Environment

Dimension	TBD
Weight	TBD
Mounting	Wallmount
Operating Temperature	35W TDP CPU : -30°C to 70°C 65W TDP CPU : -30°C to 50°C 80W TDP CPU : -30°C to 40°C with system fan When Install Graphics Card: -20°C to 45°C with system fan
Storage Temp	-40°C to 85°C (-40°F to 185°F)
Humidity	5% to 90% Humidity, non-condensing
Shock	IEC 60068-2-27 SSD : 50G @ wallmount, Half-sine, 11ms
Vibration	IEC 60068-2-64 SSD : 5Grms, 5Hz to 500Hz, 3 Axis
EMC	CE / FCC class A/ E-Mark

*Please adopt wide operation temperature RAM, SSD, HDD to get better and stable system performance.

*If customer want to install CPU TDP up to 80W or high level GPU card, we will suggest to choose system sku with system fan version to get better thermal solution and system performance.

Specification

System

CPU	Intel® 10th Gen. Xeon®/Core™ i9/i7 Processor, support max 80W TDP CPU, socket type, LGA1200
Chipset	Intel® W480E
Memory	2 x 260 PIN DDR4-3200 SODIMM supports up to 64GB (Up to 32GB per socket)

Video

Graphic Controller	Intel® UHD Graphics 630
Interface	1 VGA, 1 DVI-D, 1 HDMI1.4b

Storage

SATA	2 SATA III (6Gbps) support S/W RAID 0, 1
M.2	1 M.2 Key M Socket (2280) NVMe SSD (Internal)
Storage Device	2 Front-access 2.5" SSD/HDD Tray

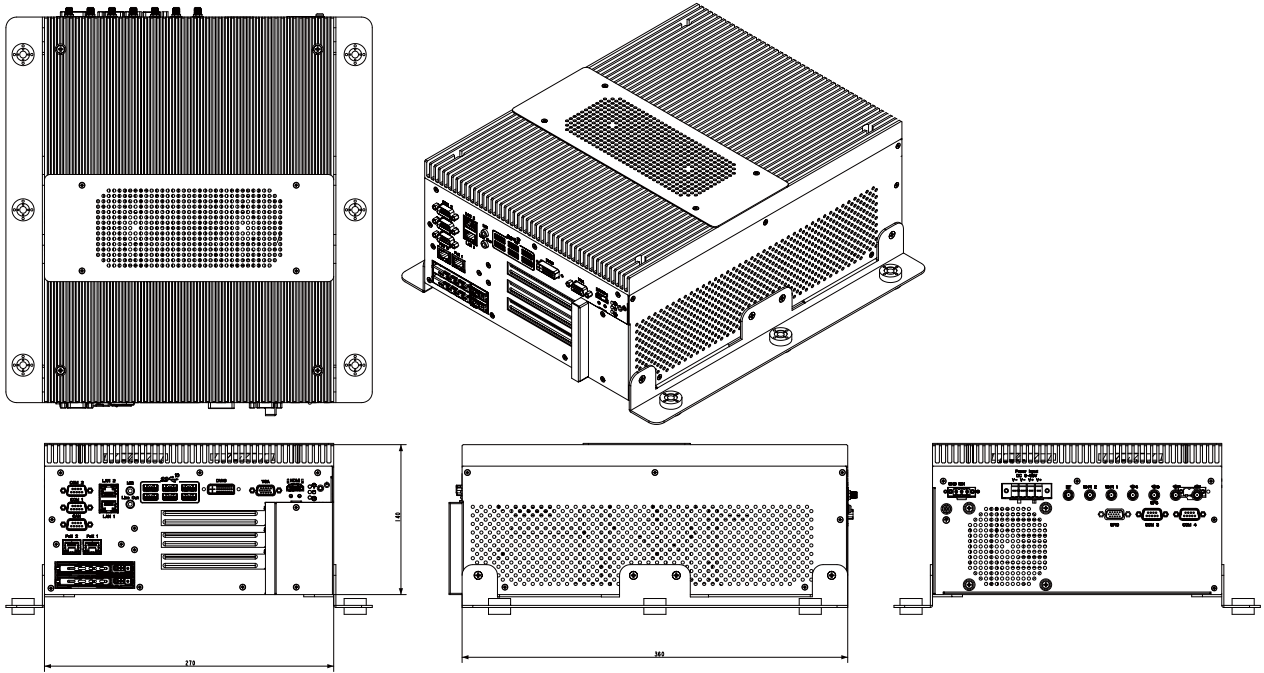
I/O

LAN	LAN 1 : RJ45 Type Intel® I210IT GigE LAN LAN 2 : RJ45 Type Intel® I210IT GigE LAN
Serial	4 DB9 Type RS-232/RS422/485
USB	6 Type A USB 3.2 Gen2
DIO	4DI,4DO, DB15 Type connector
Audio	1 Mic-in, 1 Line-out
CAN BUS	1 DB9 CANBus
LED	Power, HDD, Status
Button	1 Power Press Button
Antenna Hole	7 Antenna Holes

Expansion

Mini PCIe	2 x Full Size Mini PCIe Slots
M.2	1 x M.2 B Key(3042)
SIM Slot	1 SIM Slot (Internal)
PCIe Slot	2 PCIe[x16] Slot with PCIe x8 signal , 1 PCIe[x4] Slot

Dimensions



I/O Connectors

Packing List

- 1 x AAD-W480B
- 2 x Wall mount bracket
- 1 x Terminal block
- 1 x Screws Package
- 1 x GPU fixing kit

CPU List

Series	CPU	GHz	TDP (W)	ECC RAM
Intel® Xeon®	W-1290TE	4.5	35	Yes
	W-1270E	4.8	80	
	W-1270TE	4.4	35	
	W-1250E	4.7	80	
	W-1250TE	3.8	35	
Intel® Core™	i9-10900E	4.7	65	NA
	i9-10900TE	4.5	35	
	i7-10700E	4.5	65	
	i7-10700TE	4.4	35	

Order Information

AAD-W480B1-000	AAD-W480B1, Socket Type CPU Platform, 3 PCIe, CANBus
AAD-W480B2-000	AAD-W480B2, Socket Type CPU Platform, 3 PCIe, CANBus, With System Fan

Optional Accessory

DDR4 32G	Certified DDR4 32GB 3200MHz RAM(Non-ECC)
DDR4 16G	Certified DDR4 16GB 3200MHz RAM(Non-ECC)
DDR4 8G	Certified DDR4 8GB 3200MHz RAM(Non-ECC)
DDR4 4G	Certified DDR4 4GB 3200MHz RAM(Non-ECC)
5G Module	5G & GNSS Module with Dual Antenna
4G Module	4G & GNSS Module with Dual Antenna
WiFi & Bluetooth Module	WiFi & Bluetooth Module with Dual Antenna