

# Projected Display-PDT Series

## Features

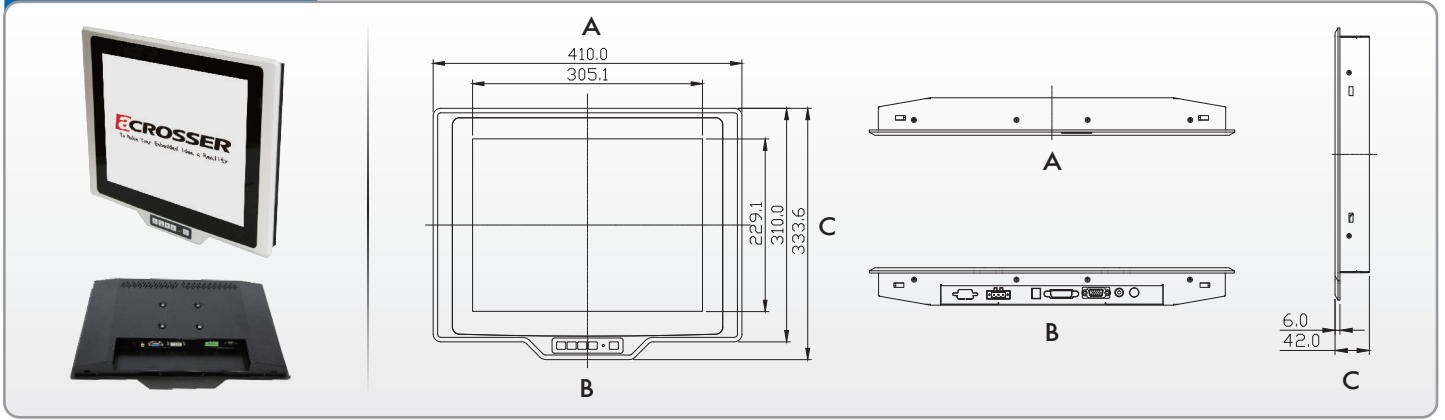
- ▶ 15" & 19" Industrial Display
- ▶ P-Cap touch screen for Multi-touch (Window Base)
- ▶ OSD at rear side
- ▶ Front Panel IP65
- ▶ DC 11~32V input with adapter
- ▶ Flat Panel Design
- ▶ VGA / DIV / S-video input

## Specification

Model Name	AR-DP150-PDT	AR-DP190-PDT
<b>LCD</b>		
Panel Size	15" TFT-LCD	19" TFT-LCD
Max. Resolution	1024 x 768	1280 x 1024
Luminance (cd/m <sup>2</sup> )	400	300
Backlight Lifetime	50,000hrs	
Viewing Angle	H:160° / V:145°	H:170° / V:160°
<b>Touch Screen</b>		
Type	Projected Capacitive Touch	
Light Transmittion	80%	
<b>I/O</b>		
Video Interface	1 x VGA, 1 x DVI, 1 x AV, 1 x S-Video	
USB	1 x USB 2.0 for Touch	
Power Input	1 x 3 Pin DC power input terminal block, 1 x DC 11~32V input with adapter	
OSD	At rear side	
<b>Power Requirement</b>		
Power Input	DC 11~32V with Adapter	
<b>Mechanical &amp; Environment</b>		
Chassis Material	Aluminum front bezel and Metal Casing	
Dimension (W x H x D)	410 mm x 331 mm x 42 mm	484 mm x 416 mm x 47 mm
Net Weight	4.2 kgs	5.9 kgs
IP Rating	Front panel IP65	
Mounting	Panel Mount / VESA 75 x 75	Panel Mount / VESA 100 x 100
Operating Temp.	-20~60°C	0~50°C
Storage Temp.	-20~70°C	-20~60°C
Relative Humidity	10 to 90% @ 40°C, non-condensing	
Safety	CE, FCC class A	

# Dimension

## AR-DP150-PDT



## AR-DP190-PDT

