

# ACE-S5692FL

Intel GME965 Fanless and Gaming System with International and Italian JAMMA Interface



## Features

- GME965 with Core 2 Duo/Celeron M
- 30-bit Interruptible Digital Input
- 27-bit High Current Output
- 8 Liner and Italian JAMMA Interface
- Dual 512KB Battery Backup SRAM with Battery Low Event Logger
- Dual VGA
- 4 x 16-bit Interruptible Timer
- 7-bit Intrusion Logger Input



CE FCC Invention Patent I334065

## Specification

### General PC Feature

CPU	Intel Core 2 Duo 2.20GHz Intel Celeron M 2.0GHz
Chipset	Intel GME965 + ICH8M
Memory	<ul style="list-style-type: none"> <li>• 2 x 240-pin DIMM socket support 533/667MHz Dual Channel DDR2 SDRAM up to 4GB</li> <li>• 1GB DDR2 pre-installed</li> </ul>
Battery	<ul style="list-style-type: none"> <li>• 1 x 220 mAh battery for system RTC</li> <li>• 2 x 140 mAh re-chargable batteries for SRAM, Second RTC, Intrusion Logger</li> </ul>
Real Time Clock	1 x system RTC and 1x secured RTC

### Video

Graphic Controller	Intel GME965 integrated GMA X3100 graphic controller supports OpenGL 1.5, DirectX 10
Video Memory	shared memory
Video Interface	2 x VGA (2 x DB15)

### Storage

IDE	1 x IDE (40-pin)
SATA	2 x SATA port
CF	1 x Compact Flash Type I/II socket support UDMA

### Communication

Ethernet	1 x GbE RJ45 with LED, Intel 82574L
USB	6 x USB 2.0 (2 x external port, 4 x pin header)
Serial Port	4 x RS-232 (4 x DB9, COM3/4 selectable for ccTalk)

### Audio

Output	Stereo
Amplifier	6 Watts per channel
Volume Channel	Left channel

### Other Feature

Hardware Monitoring	<ul style="list-style-type: none"> <li>• CPU voltage and speed</li> <li>• CPU and system temperature</li> </ul>
WatchDog Timer	Software programmable 1~255 sec.
Indicator	HDD and Power LED

### Gaming I/O

I/O Interface	8 Liner (72-pin) and Italian JAMMA interface
Digital Input	<ul style="list-style-type: none"> <li>• 25 x optical isolated input, 5 x TTL input</li> <li>• State change interrupt</li> </ul>
Digital Output	3 x 1000 mA and 24 x 500 mA digital output
Readable DIP Switch	2 x 8-bit DIP switch
GPIO (TTL Level)	28 bits
Timer	4 x 16-bit timers with time out interrupt
Battery backup SRAM	<ul style="list-style-type: none"> <li>• 2 x 512KB</li> <li>• 140 mAh rechargeable battery</li> <li>• Battery voltage low log and voltage readback</li> </ul>
EEPROM	1KB
Intrusion Logger	<ul style="list-style-type: none"> <li>• 1 x chassis intrusion switch + 5 bits on golden fingers</li> <li>• 10 events with time stamps</li> <li>• 140 mAh rechargeable battery</li> <li>• battery voltage low log and voltage readback</li> </ul>
Chassis Intrusion Switch	1 x switch on system chassis
Smart Card Reader	Optional

### Power Requirement

Power Input	5V (+/-5%) and 12V (+/-5%) input on golden finger
Power Consumption	60W without external devices

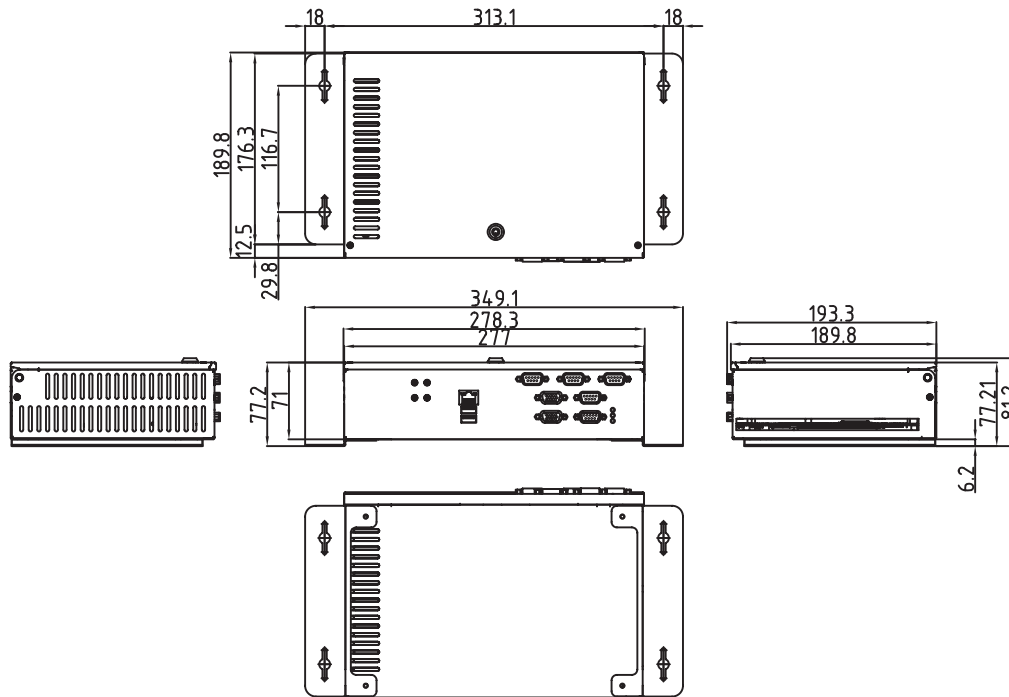
### Software

OS Support	Windows XP/XP Embedded, Linux
Software Development Kit	<ul style="list-style-type: none"> <li>• Device driver</li> <li>• Application Program Interface (API)</li> <li>• Demo program</li> </ul>

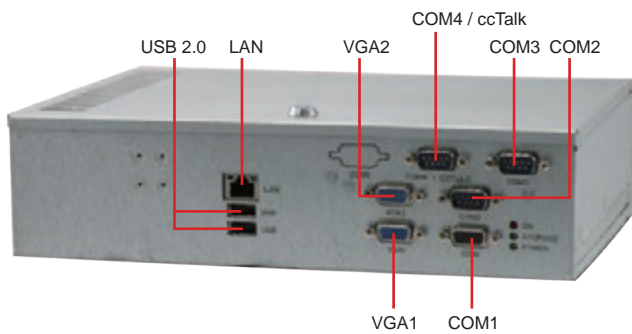
### Mechanical & Environment

Thermal Design	Fanless
Chassis Material	SPGC steel
Dimension	279mm x 190mm x 73mm (10.99" x 7.49" x 2.88")
Weight	5 kg
Operating Temp.	0~50°C (32~122°F)
Storage temp.	-20~80°C (-4~176°F)
Relative Humidity	0~90% @ 40°C, non-condensing
Safety	CE, FCC class A

## Dimension



## I/O Connectors



Italian Jamma Golden Finger

## Packing List

- 1 x ACE-S5692FL
- 1 x Software driver CD
- 1 x Quick user's manual
- 2 x Mounting bracket
- 1 x Screw pack

## Ordering Information

ACE-S5692FLT75	ACE-S5692FL with Intel Core 2 Duo 2.20GHz, 1GB DDR2 and 2 x 512KB SRAM
ACE-S5692FLCM55	ACE-S5692FL with Intel Celeron M 2.0GHz, 1GB DDR2 and 2 x 512KB SRAM